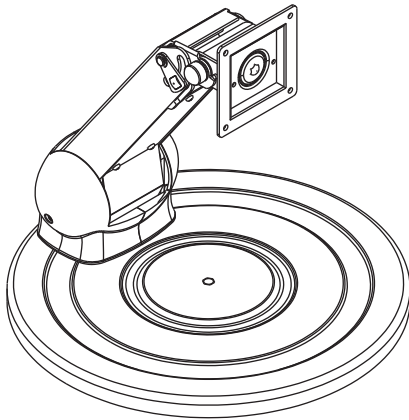


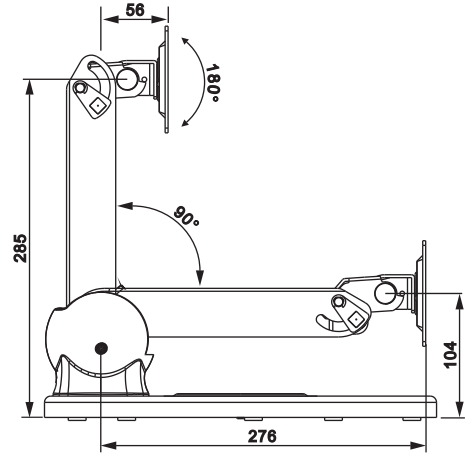
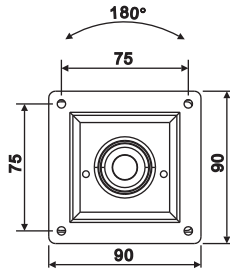
LCD Monitor Arms

Specification

*Strong loading up to 15 kgs LCD Monitor.

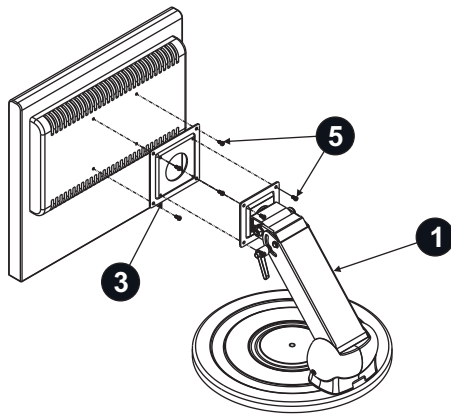


Unit:mm

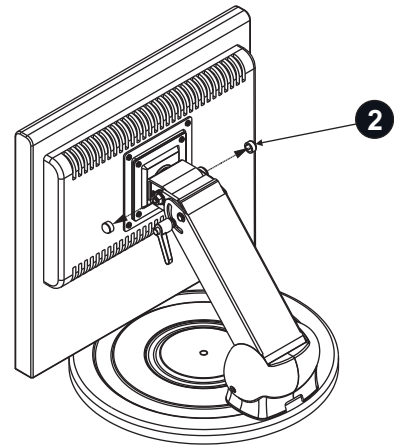


Installation

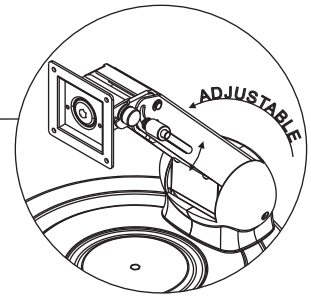
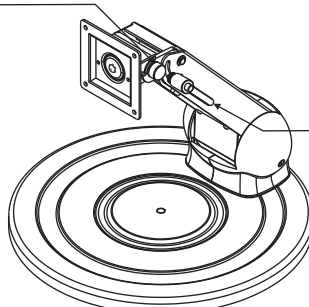
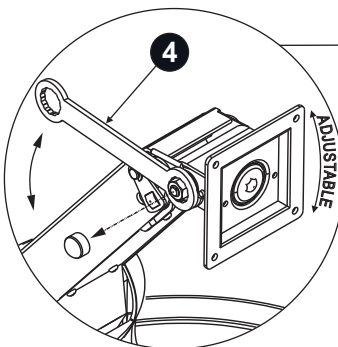
I. Install 100x100 mm hole pattern bracket.



II.



III.



MAIN PARTS

ITEM	1	2
PARTS		
QTY	1	2

PARTS FOR TV BRACKETS

ITEM	3	4	5
PARTS			
QTY	1	1	8